

# VISIOTEK

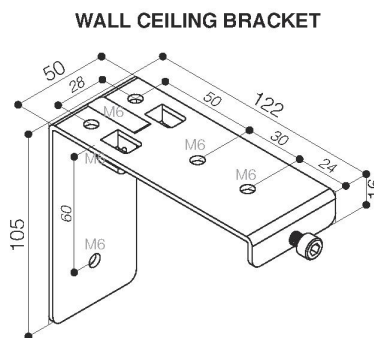
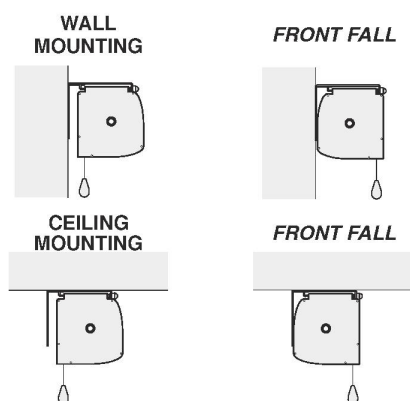
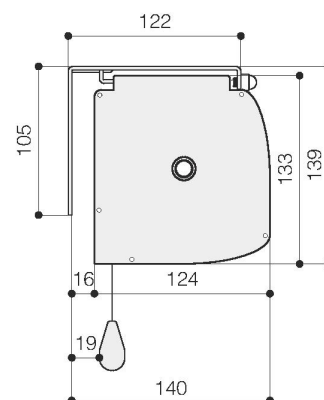
ECRAN DE PROJECTION HAUT DE GAMME HOME CINEMA

TENSIONED SCREEN 3X2.25M



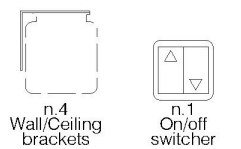
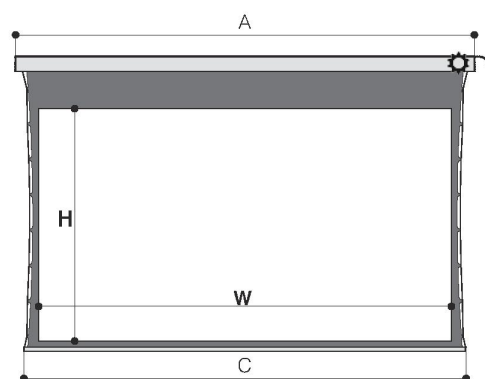
**False ceiling trim kit**  
(optional - for details see p. 48)

### HOUSING DIMENSIONS



### TECHNICAL SPECIFICATIONS

- Silent motor system provides a smooth and quiet operation
- Totally manufactured from aluminium
- Housing dimensions: 124x133 mm. (DxH)
- Housing painted with white epoxy powders (RAL 9010)
- Power cable located at the **right** side of the screen housing seen from the front
- Flame-retardant projection surfaces – classification M1, M2 and B1
- Black side borders of 5 cm. (in the narrowest point), black bottom border of 5 cm., black top drop of 30 cm. and black dowel bar: height 35 mm. depth 20 mm.
- Hour-shape glass tensioning system to provide perfect flatness



**INCLUDED**

### DIMENSIONS measures in cm

4:3 Ratio Viewing area (WxH)	16:9 Ratio Viewing area (WxH)	16:10 Ratio Viewing area (WxH)	Overall dimensions A - C	Approx. net weight (Kg)
300 x 225	300 x 169	300 x 187	340 - 334	31

The measures in the drawings are expressed in millimetres.